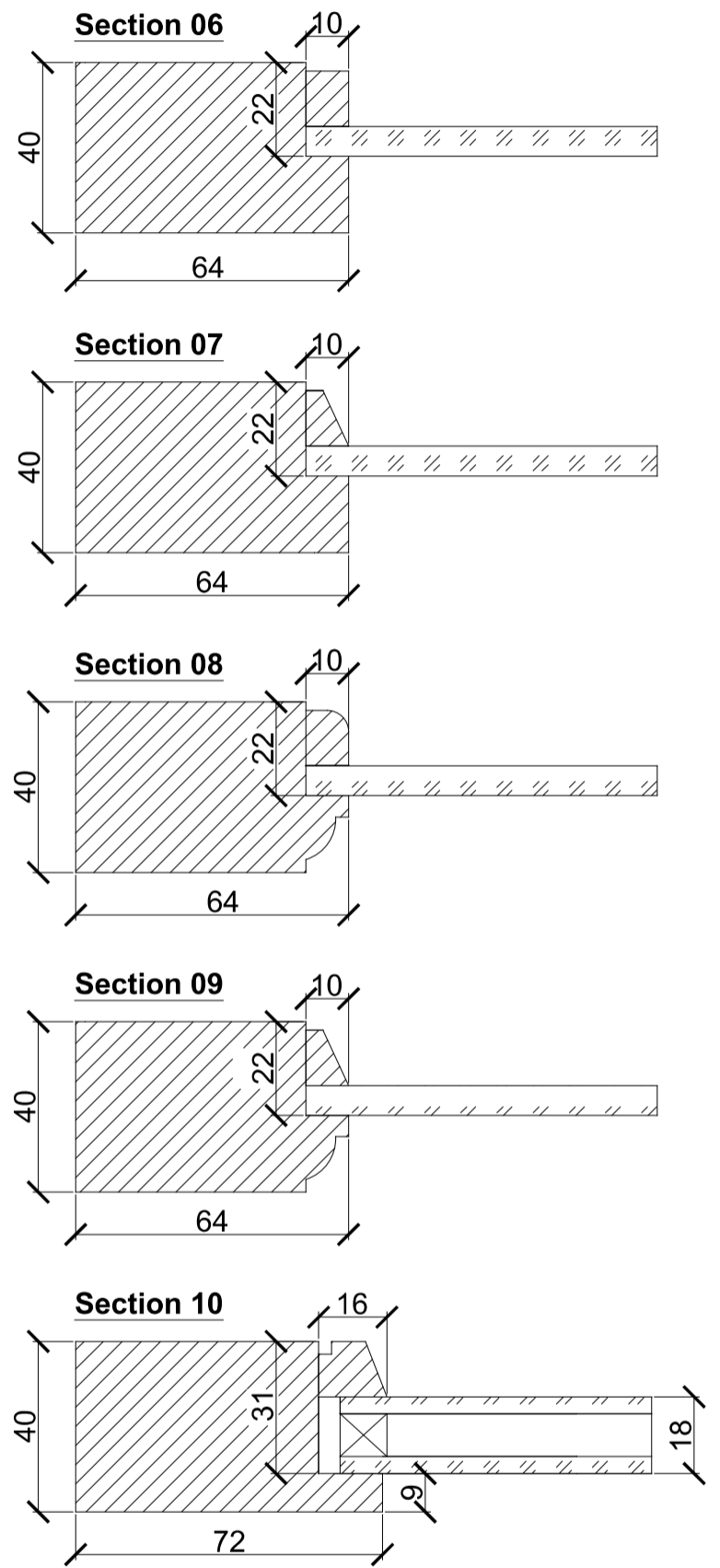
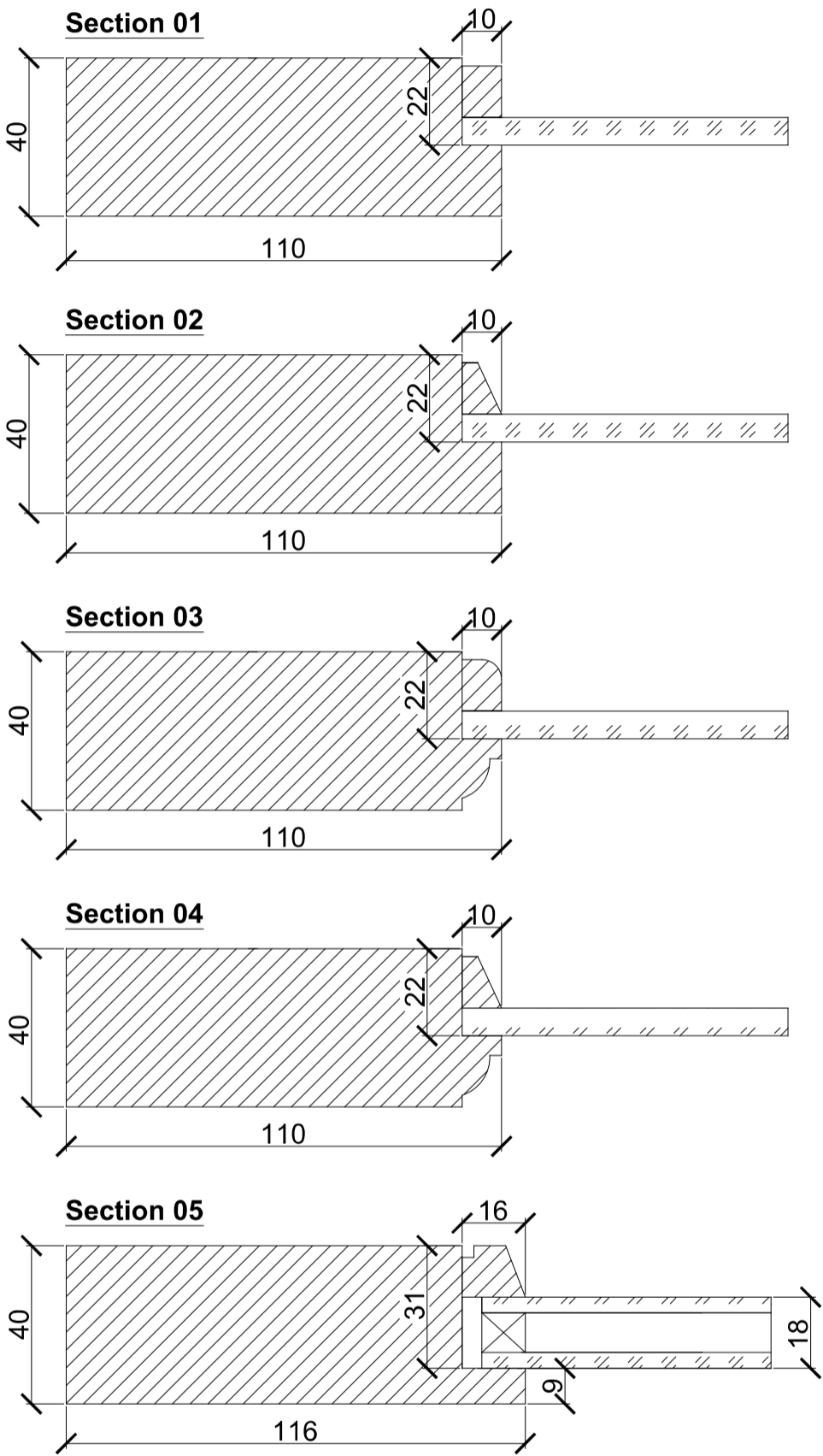



Door sections

Sash sections



THIS DRAWING AND THE SPECIFICATIONS HEREIN ARE THE PROPERTY OF ABBOTT'SOLUTELY TIMBER JOINERY AND SHALL NOT BE REPRODUCED, COPIED OR USED IN WHOLE OR IN PART AS THE BASIS FOR THE MANUFACTURE OR SALE OF ITEMS WITHOUT THE WRITTEN PERMISSION FROM ABBOTT'SOLUTELY TIMBER JOINERY © COPY RIGHT ABBOTT'SOLUTELY TIMBER JOINERY

SCALE:	DRAWN BY: CP	DATE: 10/5/24	REV NO: 0	REV DATE:
SIZE: A3	ABBOTT'SOLUTELY TIMBER JOINERY 10-12 SEABROOK WAY MEDINA WA 6167 PH: 08 9439 5661 EMAIL: admin@abbottsolutelytimber.com.au		CLIENT: Standard drawing DWG TITLE: Glazed door & sash sections	
			DWG NO:	SHEET: 1 OF 1